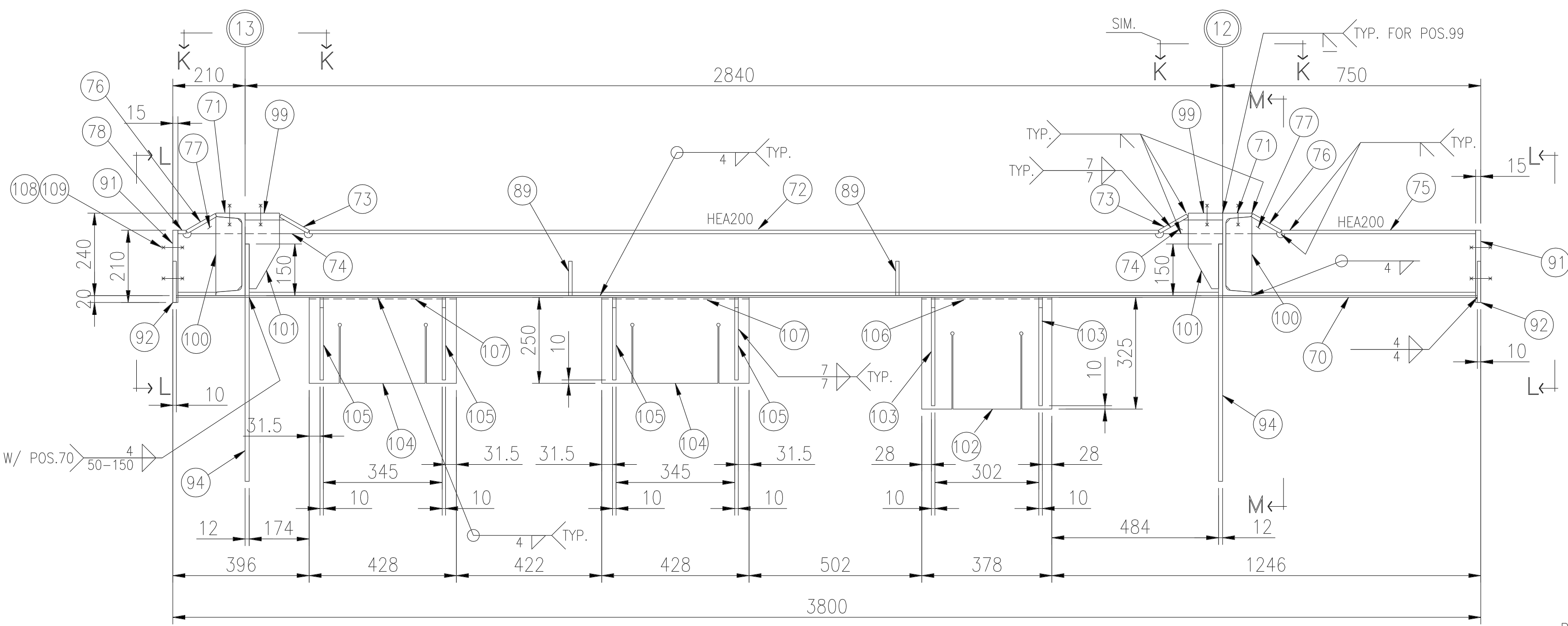
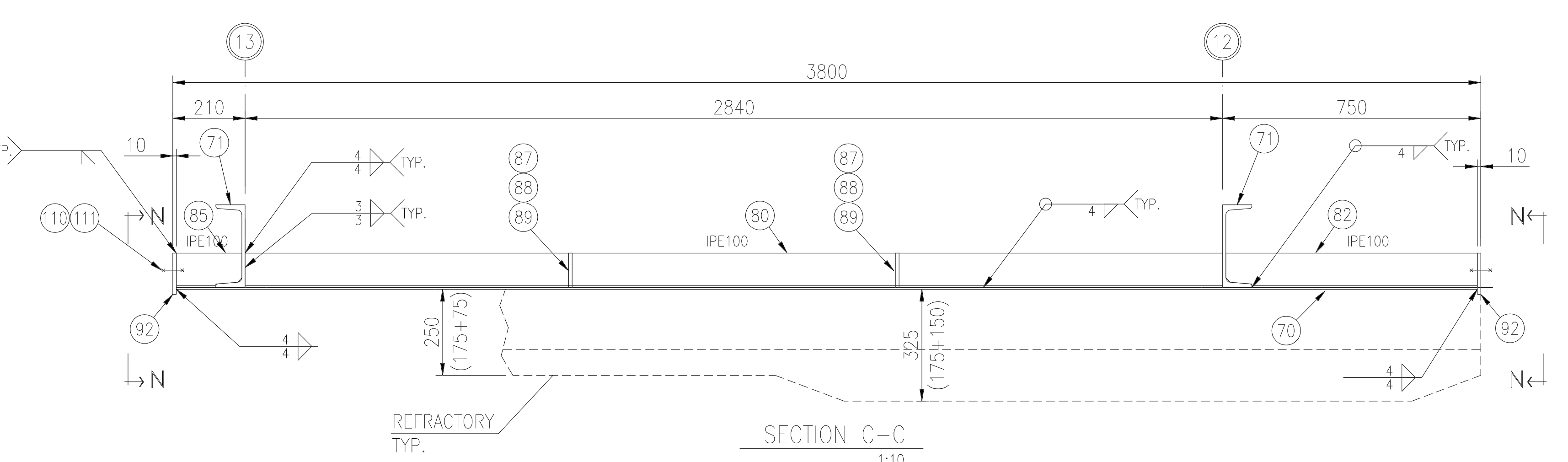


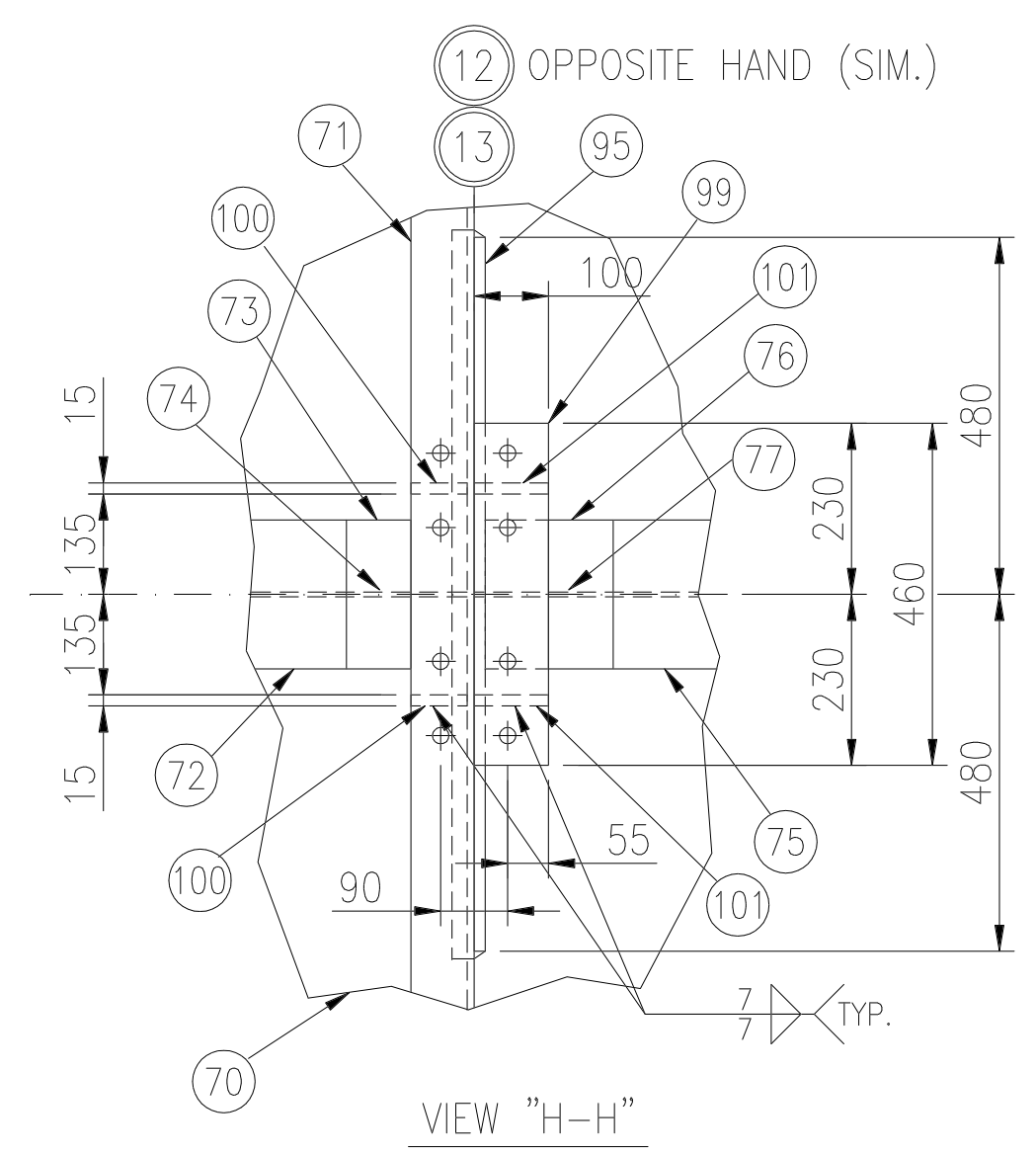
SECTION A-A
1:10



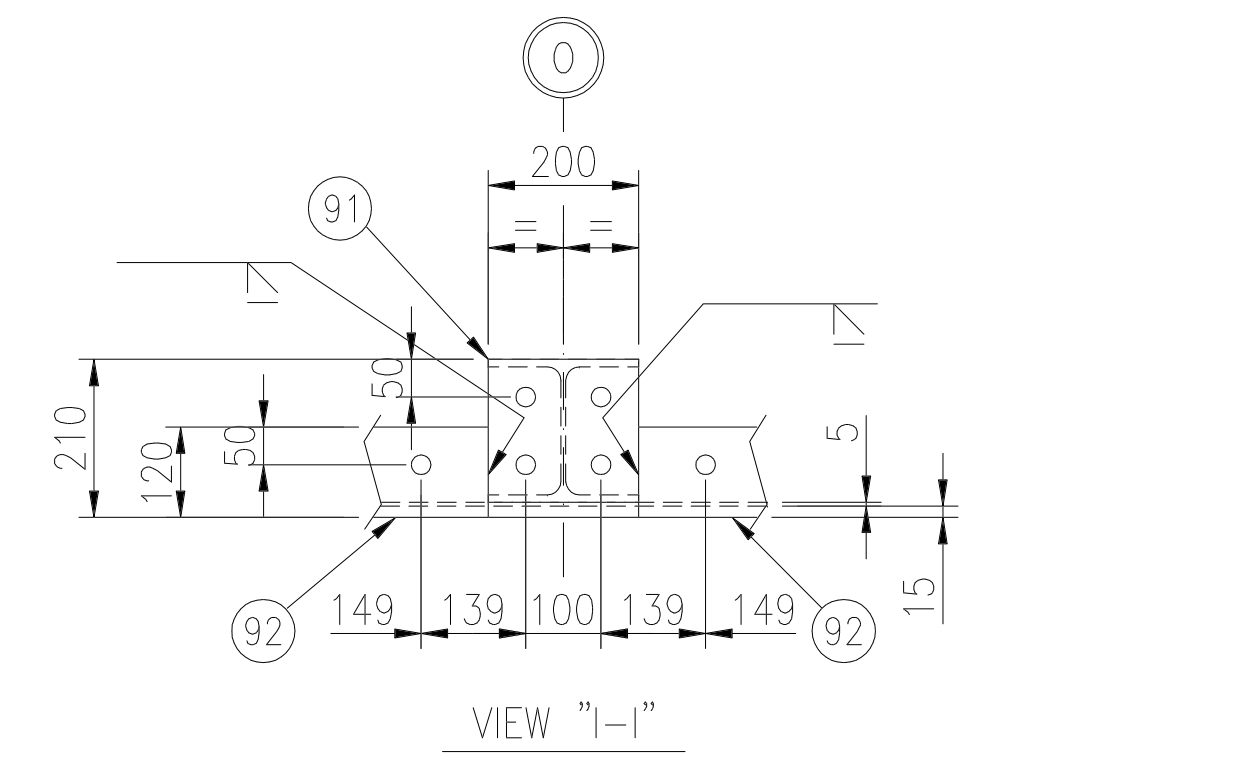
SECTION B-B
1:10



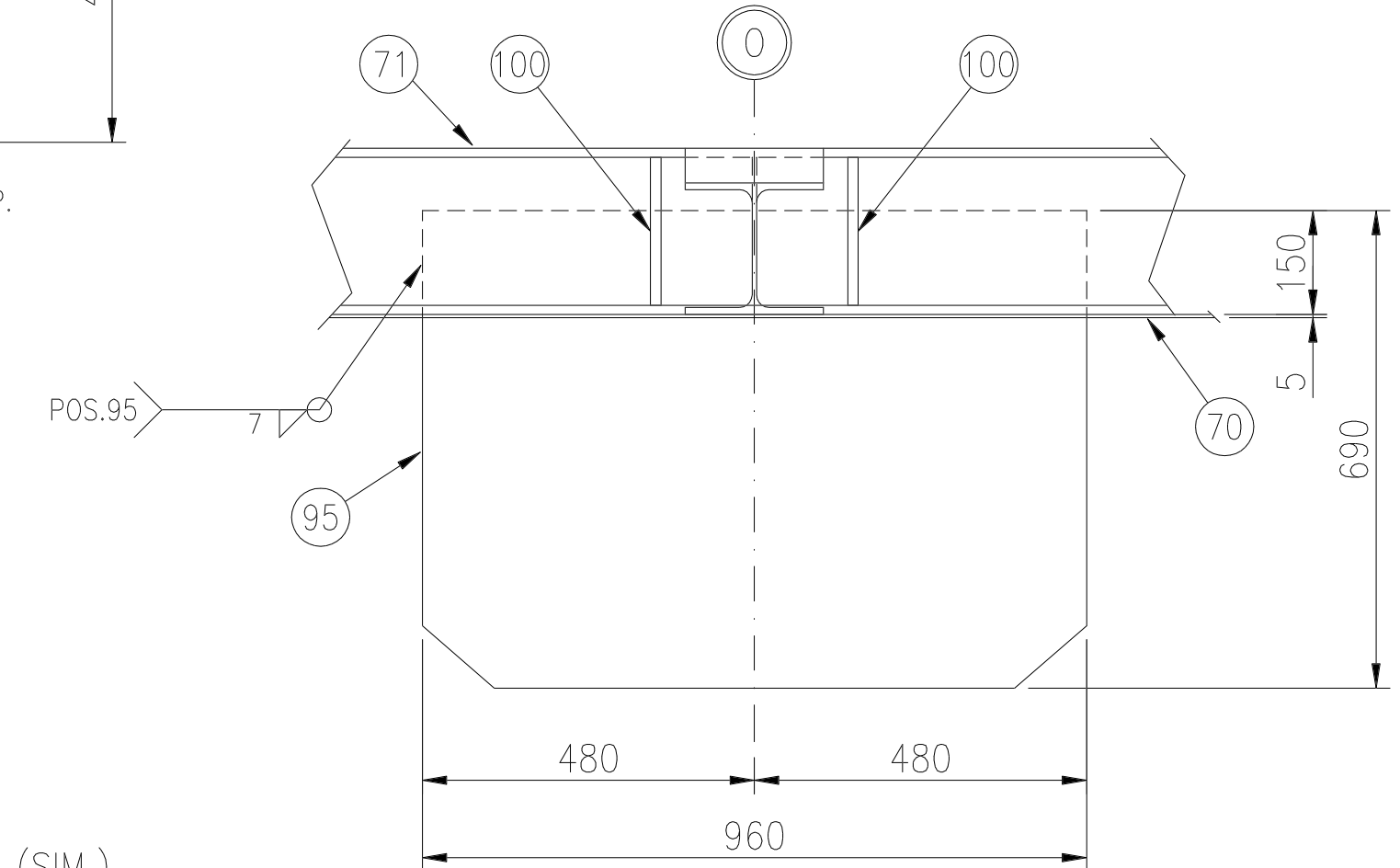
SECTION C-C
1:10



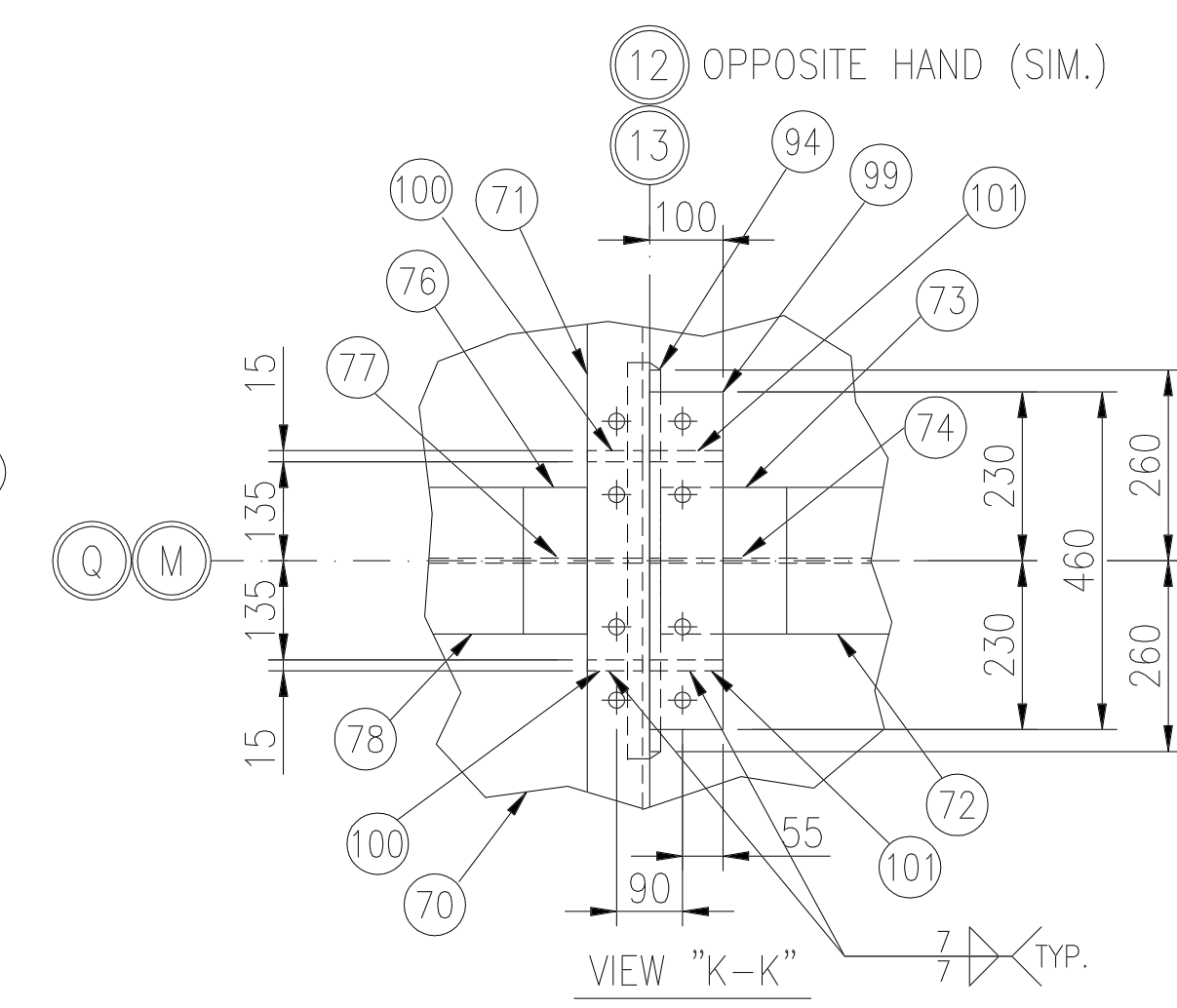
VIEW "H-H"



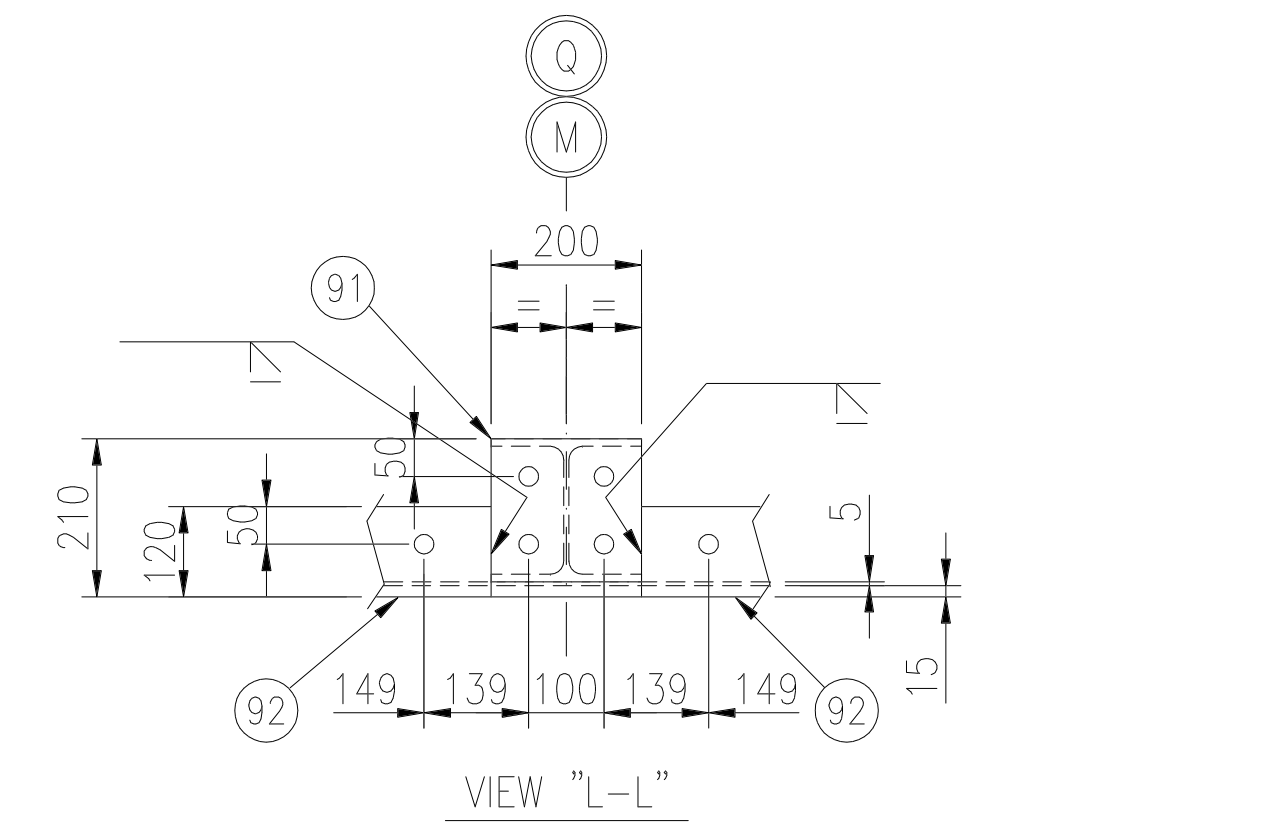
VIEW "I-I"



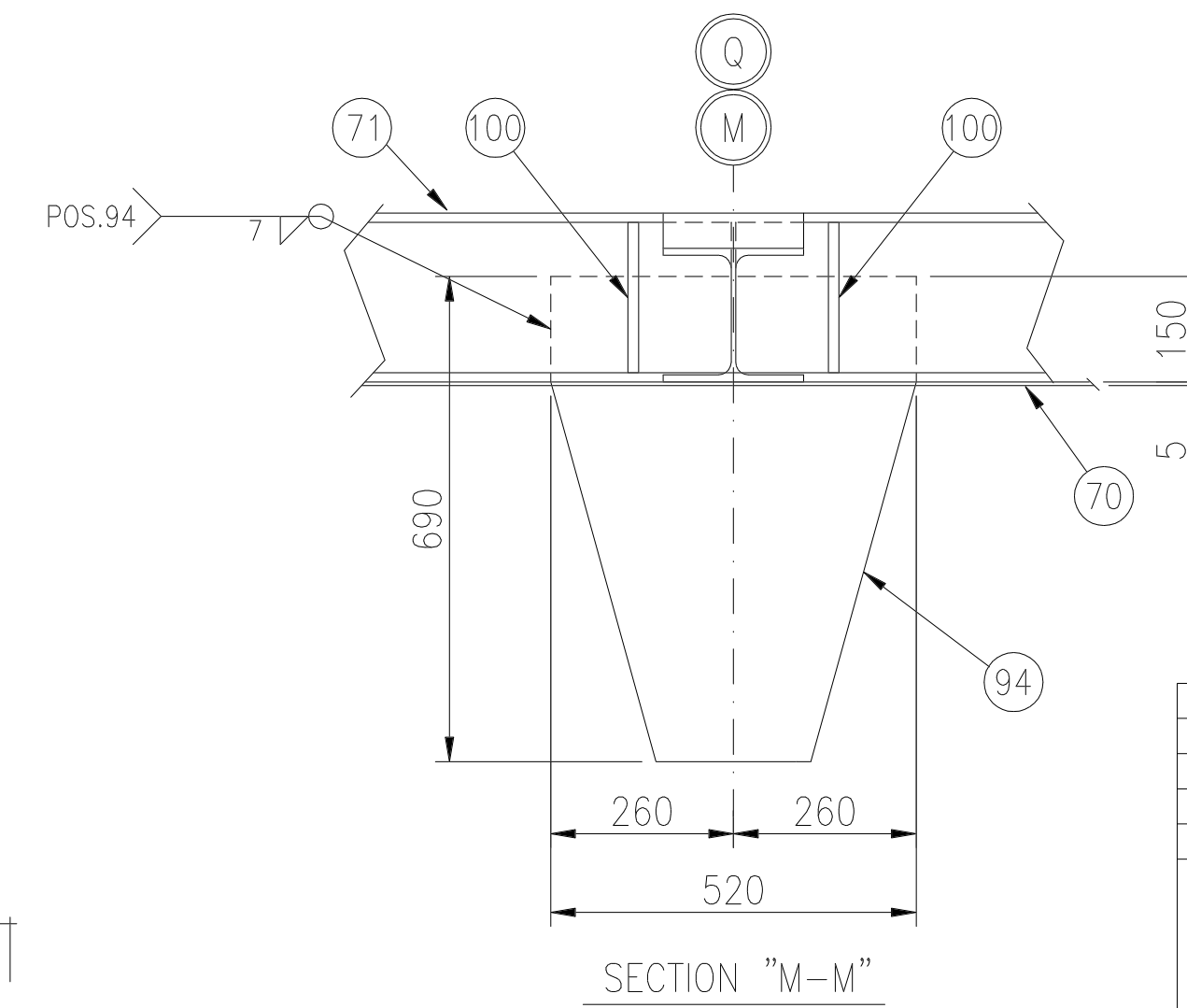
SECTION "J-J"



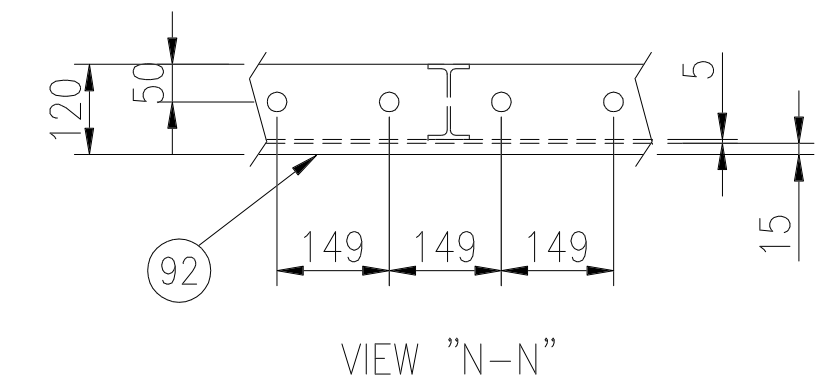
VIEW "K-K"



VIEW "L-L"



SECTION "M-M"



VIEW "N-N"

				VENDOR DOCUMENT REVIEW		
	PROJ.: 30598 - INA HGU RIJEKA CLIENT: INA INDUSTRIJA NAFTE d.d.			<input type="checkbox"/> 1 REVISE AND RESUBMIT <input type="checkbox"/> 2 TO BE ISSUED AS FINAL PROVIDED COMMENTS ARE INCORPORATED <input type="checkbox"/> 3 NO COMMENT - FINAL ISSUE		
MR N°: 0131-02 PO N°: 30598/A0016			<input type="checkbox"/> 4 FOR INFORMATION ONLY (INTERNAL ISSUE)			
ITEM: - VR Doc. CODE: -			U.O.: TECHNIP KTI S.p.A. BY: _____ DATE: _____			

1	ISSUED FOR CONSTRUCTION	28.10.08	R.VITALBA	A.PALMISANO	A.QUERO
0	ISSUED FOR APPROVAL	05.10.08	R.VITALBA	A.PALMISANO	A.QUERO
REV	DESCRIZIONE	DATA	DISIGNATO	CONTROLLATO	APPROVATO

CLIENTE : INA INDUSTRIJA NAFTE d.d.
 PROGETTO : 30598 - INA HGU RIJEKA
 LOCALITA' : RIJEKA

COMM 08/965	SERVICE :		NUMERO DISEGNO 08965-C-002
ITEM E-023/E-024A	E-023/E-024A CONVECTION SECTION MARK E023-B - SECTIONS "A-A"-"C-C"		
N° FABBR. 509		TECNOMEC <small>TECNICA IMPIANTISTICA, MANUTENZIONE, INGEGNERIA Technic plants, maintenance, engineering TARANTO (ITALY) www.tecnomec-eng.it</small>	FOGLIO 2 DI 3
SCALA 1:25			